

Harness for remote sensing & parallel operation by 2 units is prepared in UAW/UAF/LDA series.

UAW Series
UAF Series
LDA Series

Mating harness

| Model | Harness model # | Contents |
|---------------------|-----------------|-----------------------------------|
| UAW125S | H-SN-1 | For remote sensing |
| UAW250S | H-SN-1 | For remote sensing |
| | H-PA-2 | For parallel operation by 2 units |
| UAW500S/ UAF500S | H-SN-2 | For remote sensing |
| | H-PA-1 | For parallel operation by 2 units |
| LDA300W | H-SN-1 | For remote sensing |

●Model number
H-SN-1

Housing : XHP-4 (J.S.T.)
Pin : SXH-001T-P0.6 (J.S.T.)

●Type

●Wire

| Pin # | Wire | AWG | Color | Length ℓ (mm) |
|-------|--------|-----|-------|--------------------|
| 1 | | | | |
| 2 | UL1061 | 28 | black | 500 |
| 3 | UL1061 | 28 | red | 500 |
| 4 | | | | |

●Model number
H-SN-2

Housing : ZHR-10 (J.S.T.)
Pin : SZH-002T-P0.5 (J.S.T.)

●Type

●Wire

| Pin # | Wire | AWG | Color | Length ℓ (mm) |
|-------|--------|-----|-------|--------------------|
| 1 - 4 | | | | |
| 5 | UL1061 | 28 | black | 500 |
| 6, 7 | | | | |
| 8 | UL1061 | 28 | red | 500 |
| 9, 10 | | | | |

●Model number
H-PA-1

Housing : ZHR-10 (J.S.T.)
Pin : SZH-002T-P0.5 (J.S.T.)

●Type

●Wire

| Pin # | Wire | AWG | Color | Length ℓ (mm) |
|-------|--------|-----|--------|--------------------|
| 1 - 3 | | | | |
| 4, 5 | UL1061 | 28 | black | - |
| 6, 8 | UL1061 | 28 | red | - |
| 7 | | | | |
| 9 | UL1061 | 28 | yellow | 220 |
| 10 | UL1061 | 28 | green | 220 |

●Model number
H-PA-2

Housing : XHP-3 (J.S.T.)
Pin : SXH-001T-P0.6 (J.S.T.)

●Type

●Wire

| Pin # | Wire | AWG | Color | Length ℓ (mm) |
|-------|--------|-----|-------|--------------------|
| 1 | UL1007 | 22 | white | 180 |
| 2 | UL1007 | 22 | black | 180 |
| 3 | UL1007 | 22 | red | 180 |

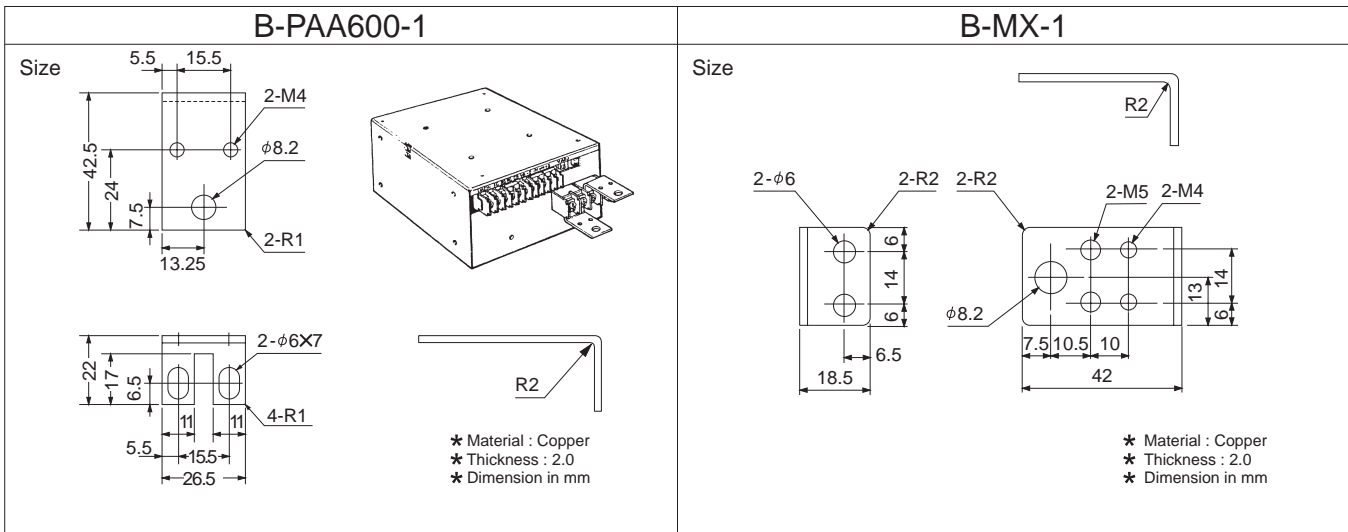
Option

Option-28

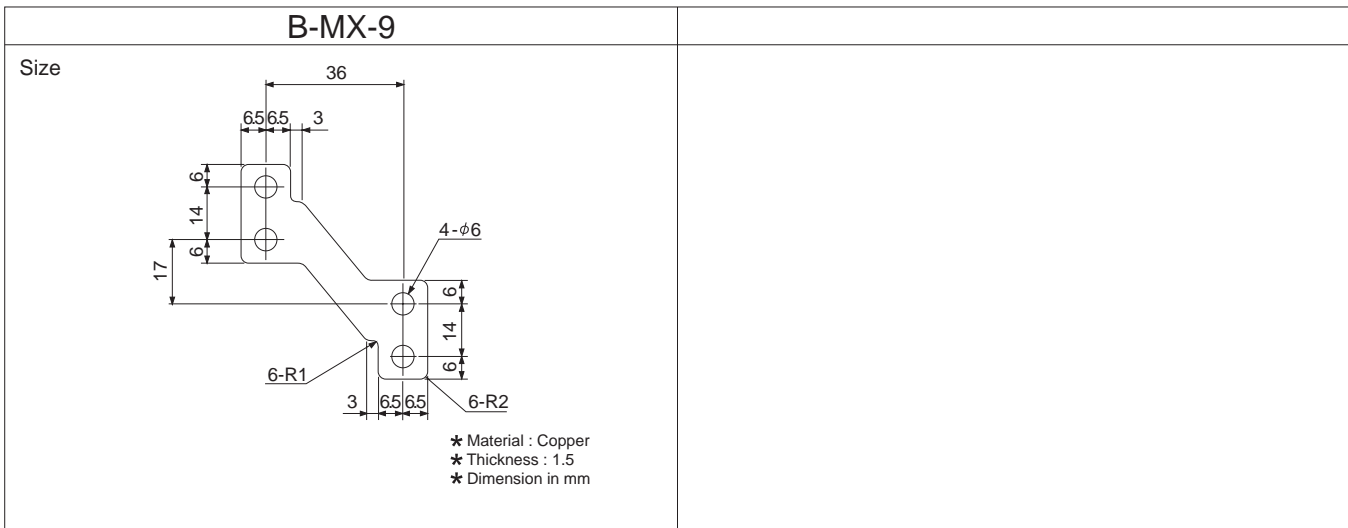
Terminal Attachment

Terminal attachment to facilitate two or more terminal connections to power supply output is prepared in PAA, UAW, UAF, MAX and ACE series.

| Type | Mating Model | Contents |
|------------|---|---|
| B-PAA600-1 | PAA300 PAA600 UAW500 UAF500 | Terminal attachment to facilitate two or more terminal connections to power supply output |
| B-MX-1 | PBA600F MAX1600F MAX1600T MAX3200T | Terminal attachment to facilitate terminal connections to power supply output |
| B-MX-9 | MAX1600F MAX1600T MAX3200T | Terminal attachment for series operation as output modules |



* It is necessary to install the attachments on opposite direction to avoid short-circuit between + and - in terminal block.



* It is necessary to install B-MX-1 on opposite direction to avoid short-circuit between + and - terminal block.

* Please note the direction of the installation to prevent the short-circuit between the outputs when using B-MX-1 and B-MX-9 at the same time.

* The cover of terminal block does not be attached to B-MX-1 with installation screw and solderless terminal occasionally.