

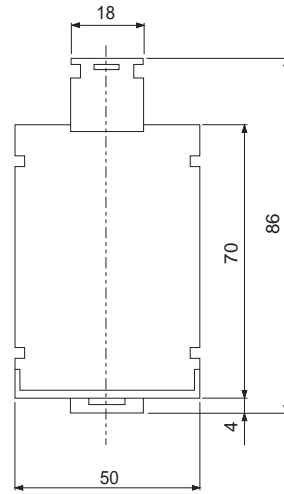
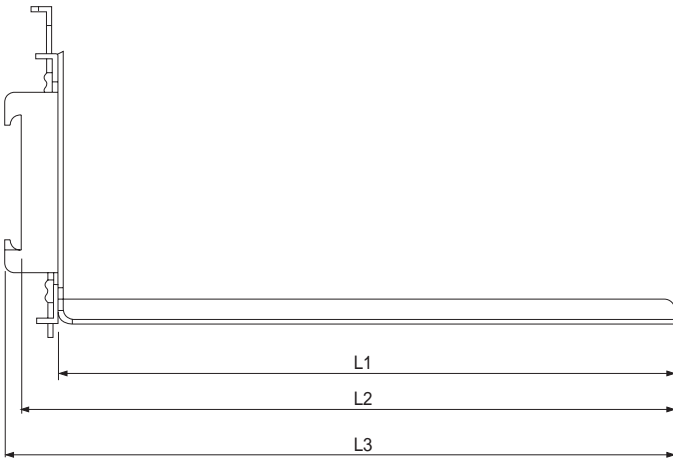
# Din rail Attachment Plate

## APPLICABLE TO MODEL

Din rail width : 35mm

| Plate model | FD-A                                      | FD-B                                             |
|-------------|-------------------------------------------|--------------------------------------------------|
| Model       | P30, P50<br>R50A, PAA50<br>RMB30A, RMC30A | P15, MMC8A<br>R10A, R15A, R25A<br>RMB15A, RMC15A |

## EXTERNAL VIEW



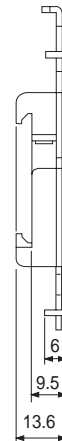
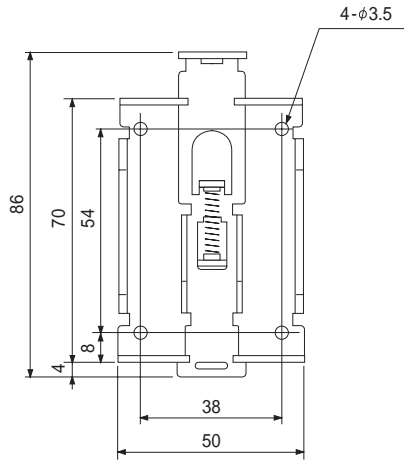
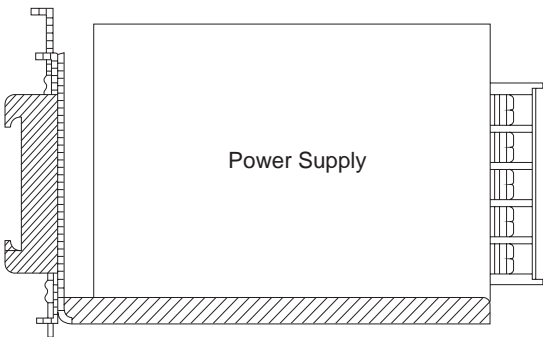
(Unit : mm)

| Model | L1  | L2    | L3    |
|-------|-----|-------|-------|
| FD-A  | 165 | 174.5 | 178.6 |
| FD-B  | 115 | 124.5 | 128.6 |

★ Material : SPCC  
★ Thickness : 1.6  
★ Tolerance : ±1

## DIN RAIL ATTACHMENT MODEL : FD-SP

## MOUNTING EXAMPLE



★ Material : SPCC  
★ Thickness : 1.6  
★ Tolerance : ±1

# Harness

Mating harness

# MMC Series

# PMC Series

| Model   | Harness model #  |        |
|---------|------------------|--------|
|         | Input            | Output |
| MMC8A   | H-IN-2 or H-IN-9 | H-OU-2 |
| MMC50A  | H-IN-1 or H-IN-8 | H-OU-4 |
| MMC75A  | H-IN-1 or H-IN-8 | H-OU-4 |
| MMC100A | H-IN-1 or H-IN-8 | H-OU-4 |

| Model  | Harness model #  |        |
|--------|------------------|--------|
|        | Input            | Output |
| PMC15  | H-IN-1 or H-IN-8 | H-OU-1 |
| PMC30  | H-IN-2 or H-IN-9 | H-OU-1 |
| PMC50  | H-IN-2 or H-IN-9 | H-OU-4 |
| PMC75  | H-IN-1 or H-IN-8 | H-OU-4 |
| PMC100 | H-IN-1 or H-IN-8 | H-OU-4 |

| <p>●Model number</p> <h2>H-IN-1</h2> <p>Housing : 10-63-3044 (Molex)<br/>Pin : 08-70-1030 or 08-70-1031 (Molex)</p> | <p>●Type</p> | <p>●Wire</p> <table border="1"> <thead> <tr> <th>Pin #</th> <th>Wire</th> <th>AWG</th> <th>Color</th> <th>Length ℓ (mm)</th> </tr> </thead> <tbody> <tr> <td>1</td> <td>UL1015</td> <td>20</td> <td>green</td> <td>500</td> </tr> <tr> <td>2</td> <td>UL1015</td> <td>20</td> <td>black</td> <td>500</td> </tr> <tr> <td>3</td> <td></td> <td></td> <td></td> <td></td> </tr> <tr> <td>4</td> <td>UL1015</td> <td>20</td> <td>white</td> <td>500</td> </tr> </tbody> </table>                                                                                                                                                                                                                                                                                                                                                                                                                                                                                                    | Pin #        | Wire          | AWG | Color | Length ℓ (mm) | 1 | UL1015 | 20 | green        | 500 | 2 | UL1015 | 20 | black | 500 | 3 |        |    |        |     | 4 | UL1015 | 20 | white  | 500 |   |        |    |        |     |   |        |    |        |     |   |        |    |      |     |   |        |    |      |     |   |        |    |        |     |    |        |    |        |     |
|---------------------------------------------------------------------------------------------------------------------|--------------|----------------------------------------------------------------------------------------------------------------------------------------------------------------------------------------------------------------------------------------------------------------------------------------------------------------------------------------------------------------------------------------------------------------------------------------------------------------------------------------------------------------------------------------------------------------------------------------------------------------------------------------------------------------------------------------------------------------------------------------------------------------------------------------------------------------------------------------------------------------------------------------------------------------------------------------------------------------------------------|--------------|---------------|-----|-------|---------------|---|--------|----|--------------|-----|---|--------|----|-------|-----|---|--------|----|--------|-----|---|--------|----|--------|-----|---|--------|----|--------|-----|---|--------|----|--------|-----|---|--------|----|------|-----|---|--------|----|------|-----|---|--------|----|--------|-----|----|--------|----|--------|-----|
| Pin #                                                                                                               | Wire         | AWG                                                                                                                                                                                                                                                                                                                                                                                                                                                                                                                                                                                                                                                                                                                                                                                                                                                                                                                                                                              | Color        | Length ℓ (mm) |     |       |               |   |        |    |              |     |   |        |    |       |     |   |        |    |        |     |   |        |    |        |     |   |        |    |        |     |   |        |    |        |     |   |        |    |      |     |   |        |    |      |     |   |        |    |        |     |    |        |    |        |     |
| 1                                                                                                                   | UL1015       | 20                                                                                                                                                                                                                                                                                                                                                                                                                                                                                                                                                                                                                                                                                                                                                                                                                                                                                                                                                                               | green        | 500           |     |       |               |   |        |    |              |     |   |        |    |       |     |   |        |    |        |     |   |        |    |        |     |   |        |    |        |     |   |        |    |        |     |   |        |    |      |     |   |        |    |      |     |   |        |    |        |     |    |        |    |        |     |
| 2                                                                                                                   | UL1015       | 20                                                                                                                                                                                                                                                                                                                                                                                                                                                                                                                                                                                                                                                                                                                                                                                                                                                                                                                                                                               | black        | 500           |     |       |               |   |        |    |              |     |   |        |    |       |     |   |        |    |        |     |   |        |    |        |     |   |        |    |        |     |   |        |    |        |     |   |        |    |      |     |   |        |    |      |     |   |        |    |        |     |    |        |    |        |     |
| 3                                                                                                                   |              |                                                                                                                                                                                                                                                                                                                                                                                                                                                                                                                                                                                                                                                                                                                                                                                                                                                                                                                                                                                  |              |               |     |       |               |   |        |    |              |     |   |        |    |       |     |   |        |    |        |     |   |        |    |        |     |   |        |    |        |     |   |        |    |        |     |   |        |    |      |     |   |        |    |      |     |   |        |    |        |     |    |        |    |        |     |
| 4                                                                                                                   | UL1015       | 20                                                                                                                                                                                                                                                                                                                                                                                                                                                                                                                                                                                                                                                                                                                                                                                                                                                                                                                                                                               | white        | 500           |     |       |               |   |        |    |              |     |   |        |    |       |     |   |        |    |        |     |   |        |    |        |     |   |        |    |        |     |   |        |    |        |     |   |        |    |      |     |   |        |    |      |     |   |        |    |        |     |    |        |    |        |     |
| <p>●Model number</p> <h2>H-IN-2</h2> <p>Housing : 10-63-3044 (Molex)<br/>Pin : 08-70-1030 or 08-70-1031 (Molex)</p> | <p>●Type</p> | <p>●Wire</p> <table border="1"> <thead> <tr> <th>Pin #</th> <th>Wire</th> <th>AWG</th> <th>Color</th> <th>Length ℓ (mm)</th> </tr> </thead> <tbody> <tr> <td>1</td> <td>UL1015</td> <td>20</td> <td>green</td> <td>500</td> </tr> <tr> <td>2</td> <td>UL1015</td> <td>20</td> <td>white</td> <td>500</td> </tr> <tr> <td>3</td> <td></td> <td></td> <td></td> <td></td> </tr> <tr> <td>4</td> <td>UL1015</td> <td>20</td> <td>black</td> <td>500</td> </tr> </tbody> </table>                                                                                                                                                                                                                                                                                                                                                                                                                                                                                                    | Pin #        | Wire          | AWG | Color | Length ℓ (mm) | 1 | UL1015 | 20 | green        | 500 | 2 | UL1015 | 20 | white | 500 | 3 |        |    |        |     | 4 | UL1015 | 20 | black  | 500 |   |        |    |        |     |   |        |    |        |     |   |        |    |      |     |   |        |    |      |     |   |        |    |        |     |    |        |    |        |     |
| Pin #                                                                                                               | Wire         | AWG                                                                                                                                                                                                                                                                                                                                                                                                                                                                                                                                                                                                                                                                                                                                                                                                                                                                                                                                                                              | Color        | Length ℓ (mm) |     |       |               |   |        |    |              |     |   |        |    |       |     |   |        |    |        |     |   |        |    |        |     |   |        |    |        |     |   |        |    |        |     |   |        |    |      |     |   |        |    |      |     |   |        |    |        |     |    |        |    |        |     |
| 1                                                                                                                   | UL1015       | 20                                                                                                                                                                                                                                                                                                                                                                                                                                                                                                                                                                                                                                                                                                                                                                                                                                                                                                                                                                               | green        | 500           |     |       |               |   |        |    |              |     |   |        |    |       |     |   |        |    |        |     |   |        |    |        |     |   |        |    |        |     |   |        |    |        |     |   |        |    |      |     |   |        |    |      |     |   |        |    |        |     |    |        |    |        |     |
| 2                                                                                                                   | UL1015       | 20                                                                                                                                                                                                                                                                                                                                                                                                                                                                                                                                                                                                                                                                                                                                                                                                                                                                                                                                                                               | white        | 500           |     |       |               |   |        |    |              |     |   |        |    |       |     |   |        |    |        |     |   |        |    |        |     |   |        |    |        |     |   |        |    |        |     |   |        |    |      |     |   |        |    |      |     |   |        |    |        |     |    |        |    |        |     |
| 3                                                                                                                   |              |                                                                                                                                                                                                                                                                                                                                                                                                                                                                                                                                                                                                                                                                                                                                                                                                                                                                                                                                                                                  |              |               |     |       |               |   |        |    |              |     |   |        |    |       |     |   |        |    |        |     |   |        |    |        |     |   |        |    |        |     |   |        |    |        |     |   |        |    |      |     |   |        |    |      |     |   |        |    |        |     |    |        |    |        |     |
| 4                                                                                                                   | UL1015       | 20                                                                                                                                                                                                                                                                                                                                                                                                                                                                                                                                                                                                                                                                                                                                                                                                                                                                                                                                                                               | black        | 500           |     |       |               |   |        |    |              |     |   |        |    |       |     |   |        |    |        |     |   |        |    |        |     |   |        |    |        |     |   |        |    |        |     |   |        |    |      |     |   |        |    |      |     |   |        |    |        |     |    |        |    |        |     |
| <p>●Model number</p> <h2>H-IN-8</h2> <p>Housing : 10-63-3044 (Molex)<br/>Pin : 08-70-1030 or 08-70-1031 (Molex)</p> | <p>●Type</p> | <p>●Wire</p> <table border="1"> <thead> <tr> <th>Pin #</th> <th>Wire</th> <th>AWG</th> <th>Color</th> <th>Length ℓ (mm)</th> </tr> </thead> <tbody> <tr> <td>1</td> <td>UL1015</td> <td>20</td> <td>green/yellow</td> <td>500</td> </tr> <tr> <td>2</td> <td>UL1015</td> <td>20</td> <td>black</td> <td>500</td> </tr> <tr> <td>3</td> <td></td> <td></td> <td></td> <td></td> </tr> <tr> <td>4</td> <td>UL1015</td> <td>20</td> <td>white</td> <td>500</td> </tr> </tbody> </table>                                                                                                                                                                                                                                                                                                                                                                                                                                                                                             | Pin #        | Wire          | AWG | Color | Length ℓ (mm) | 1 | UL1015 | 20 | green/yellow | 500 | 2 | UL1015 | 20 | black | 500 | 3 |        |    |        |     | 4 | UL1015 | 20 | white  | 500 |   |        |    |        |     |   |        |    |        |     |   |        |    |      |     |   |        |    |      |     |   |        |    |        |     |    |        |    |        |     |
| Pin #                                                                                                               | Wire         | AWG                                                                                                                                                                                                                                                                                                                                                                                                                                                                                                                                                                                                                                                                                                                                                                                                                                                                                                                                                                              | Color        | Length ℓ (mm) |     |       |               |   |        |    |              |     |   |        |    |       |     |   |        |    |        |     |   |        |    |        |     |   |        |    |        |     |   |        |    |        |     |   |        |    |      |     |   |        |    |      |     |   |        |    |        |     |    |        |    |        |     |
| 1                                                                                                                   | UL1015       | 20                                                                                                                                                                                                                                                                                                                                                                                                                                                                                                                                                                                                                                                                                                                                                                                                                                                                                                                                                                               | green/yellow | 500           |     |       |               |   |        |    |              |     |   |        |    |       |     |   |        |    |        |     |   |        |    |        |     |   |        |    |        |     |   |        |    |        |     |   |        |    |      |     |   |        |    |      |     |   |        |    |        |     |    |        |    |        |     |
| 2                                                                                                                   | UL1015       | 20                                                                                                                                                                                                                                                                                                                                                                                                                                                                                                                                                                                                                                                                                                                                                                                                                                                                                                                                                                               | black        | 500           |     |       |               |   |        |    |              |     |   |        |    |       |     |   |        |    |        |     |   |        |    |        |     |   |        |    |        |     |   |        |    |        |     |   |        |    |      |     |   |        |    |      |     |   |        |    |        |     |    |        |    |        |     |
| 3                                                                                                                   |              |                                                                                                                                                                                                                                                                                                                                                                                                                                                                                                                                                                                                                                                                                                                                                                                                                                                                                                                                                                                  |              |               |     |       |               |   |        |    |              |     |   |        |    |       |     |   |        |    |        |     |   |        |    |        |     |   |        |    |        |     |   |        |    |        |     |   |        |    |      |     |   |        |    |      |     |   |        |    |        |     |    |        |    |        |     |
| 4                                                                                                                   | UL1015       | 20                                                                                                                                                                                                                                                                                                                                                                                                                                                                                                                                                                                                                                                                                                                                                                                                                                                                                                                                                                               | white        | 500           |     |       |               |   |        |    |              |     |   |        |    |       |     |   |        |    |        |     |   |        |    |        |     |   |        |    |        |     |   |        |    |        |     |   |        |    |      |     |   |        |    |      |     |   |        |    |        |     |    |        |    |        |     |
| <p>●Model number</p> <h2>H-IN-9</h2> <p>Housing : 10-63-3044 (Molex)<br/>Pin : 08-70-1030 or 08-70-1031 (Molex)</p> | <p>●Type</p> | <p>●Wire</p> <table border="1"> <thead> <tr> <th>Pin #</th> <th>Wire</th> <th>AWG</th> <th>Color</th> <th>Length ℓ (mm)</th> </tr> </thead> <tbody> <tr> <td>1</td> <td>UL1015</td> <td>20</td> <td>green/yellow</td> <td>500</td> </tr> <tr> <td>2</td> <td>UL1015</td> <td>20</td> <td>white</td> <td>500</td> </tr> <tr> <td>3</td> <td></td> <td></td> <td></td> <td></td> </tr> <tr> <td>4</td> <td>UL1015</td> <td>20</td> <td>black</td> <td>500</td> </tr> </tbody> </table>                                                                                                                                                                                                                                                                                                                                                                                                                                                                                             | Pin #        | Wire          | AWG | Color | Length ℓ (mm) | 1 | UL1015 | 20 | green/yellow | 500 | 2 | UL1015 | 20 | white | 500 | 3 |        |    |        |     | 4 | UL1015 | 20 | black  | 500 |   |        |    |        |     |   |        |    |        |     |   |        |    |      |     |   |        |    |      |     |   |        |    |        |     |    |        |    |        |     |
| Pin #                                                                                                               | Wire         | AWG                                                                                                                                                                                                                                                                                                                                                                                                                                                                                                                                                                                                                                                                                                                                                                                                                                                                                                                                                                              | Color        | Length ℓ (mm) |     |       |               |   |        |    |              |     |   |        |    |       |     |   |        |    |        |     |   |        |    |        |     |   |        |    |        |     |   |        |    |        |     |   |        |    |      |     |   |        |    |      |     |   |        |    |        |     |    |        |    |        |     |
| 1                                                                                                                   | UL1015       | 20                                                                                                                                                                                                                                                                                                                                                                                                                                                                                                                                                                                                                                                                                                                                                                                                                                                                                                                                                                               | green/yellow | 500           |     |       |               |   |        |    |              |     |   |        |    |       |     |   |        |    |        |     |   |        |    |        |     |   |        |    |        |     |   |        |    |        |     |   |        |    |      |     |   |        |    |      |     |   |        |    |        |     |    |        |    |        |     |
| 2                                                                                                                   | UL1015       | 20                                                                                                                                                                                                                                                                                                                                                                                                                                                                                                                                                                                                                                                                                                                                                                                                                                                                                                                                                                               | white        | 500           |     |       |               |   |        |    |              |     |   |        |    |       |     |   |        |    |        |     |   |        |    |        |     |   |        |    |        |     |   |        |    |        |     |   |        |    |      |     |   |        |    |      |     |   |        |    |        |     |    |        |    |        |     |
| 3                                                                                                                   |              |                                                                                                                                                                                                                                                                                                                                                                                                                                                                                                                                                                                                                                                                                                                                                                                                                                                                                                                                                                                  |              |               |     |       |               |   |        |    |              |     |   |        |    |       |     |   |        |    |        |     |   |        |    |        |     |   |        |    |        |     |   |        |    |        |     |   |        |    |      |     |   |        |    |      |     |   |        |    |        |     |    |        |    |        |     |
| 4                                                                                                                   | UL1015       | 20                                                                                                                                                                                                                                                                                                                                                                                                                                                                                                                                                                                                                                                                                                                                                                                                                                                                                                                                                                               | black        | 500           |     |       |               |   |        |    |              |     |   |        |    |       |     |   |        |    |        |     |   |        |    |        |     |   |        |    |        |     |   |        |    |        |     |   |        |    |      |     |   |        |    |      |     |   |        |    |        |     |    |        |    |        |     |
| <p>●Model number</p> <h2>H-OU-1</h2> <p>Housing : 10-63-3064 (Molex)<br/>Pin : 08-70-1030 or 08-70-1031 (Molex)</p> | <p>●Type</p> | <p>●Wire</p> <table border="1"> <thead> <tr> <th>Pin #</th> <th>Wire</th> <th>AWG</th> <th>Color</th> <th>Length ℓ (mm)</th> </tr> </thead> <tbody> <tr> <td>1</td> <td></td> <td></td> <td></td> <td></td> </tr> <tr> <td>2</td> <td>UL1015</td> <td>20</td> <td>black</td> <td>500</td> </tr> <tr> <td>3</td> <td>UL1015</td> <td>20</td> <td>red</td> <td>500</td> </tr> <tr> <td>4</td> <td>UL1015</td> <td>20</td> <td>purple</td> <td>500</td> </tr> <tr> <td>5</td> <td>UL1015</td> <td>20</td> <td>gray</td> <td>500</td> </tr> <tr> <td>6</td> <td>UL1015</td> <td>20</td> <td>orange</td> <td>500</td> </tr> </tbody> </table>                                                                                                                                                                                                                                                                                                                                         | Pin #        | Wire          | AWG | Color | Length ℓ (mm) | 1 |        |    |              |     | 2 | UL1015 | 20 | black | 500 | 3 | UL1015 | 20 | red    | 500 | 4 | UL1015 | 20 | purple | 500 | 5 | UL1015 | 20 | gray   | 500 | 6 | UL1015 | 20 | orange | 500 |   |        |    |      |     |   |        |    |      |     |   |        |    |        |     |    |        |    |        |     |
| Pin #                                                                                                               | Wire         | AWG                                                                                                                                                                                                                                                                                                                                                                                                                                                                                                                                                                                                                                                                                                                                                                                                                                                                                                                                                                              | Color        | Length ℓ (mm) |     |       |               |   |        |    |              |     |   |        |    |       |     |   |        |    |        |     |   |        |    |        |     |   |        |    |        |     |   |        |    |        |     |   |        |    |      |     |   |        |    |      |     |   |        |    |        |     |    |        |    |        |     |
| 1                                                                                                                   |              |                                                                                                                                                                                                                                                                                                                                                                                                                                                                                                                                                                                                                                                                                                                                                                                                                                                                                                                                                                                  |              |               |     |       |               |   |        |    |              |     |   |        |    |       |     |   |        |    |        |     |   |        |    |        |     |   |        |    |        |     |   |        |    |        |     |   |        |    |      |     |   |        |    |      |     |   |        |    |        |     |    |        |    |        |     |
| 2                                                                                                                   | UL1015       | 20                                                                                                                                                                                                                                                                                                                                                                                                                                                                                                                                                                                                                                                                                                                                                                                                                                                                                                                                                                               | black        | 500           |     |       |               |   |        |    |              |     |   |        |    |       |     |   |        |    |        |     |   |        |    |        |     |   |        |    |        |     |   |        |    |        |     |   |        |    |      |     |   |        |    |      |     |   |        |    |        |     |    |        |    |        |     |
| 3                                                                                                                   | UL1015       | 20                                                                                                                                                                                                                                                                                                                                                                                                                                                                                                                                                                                                                                                                                                                                                                                                                                                                                                                                                                               | red          | 500           |     |       |               |   |        |    |              |     |   |        |    |       |     |   |        |    |        |     |   |        |    |        |     |   |        |    |        |     |   |        |    |        |     |   |        |    |      |     |   |        |    |      |     |   |        |    |        |     |    |        |    |        |     |
| 4                                                                                                                   | UL1015       | 20                                                                                                                                                                                                                                                                                                                                                                                                                                                                                                                                                                                                                                                                                                                                                                                                                                                                                                                                                                               | purple       | 500           |     |       |               |   |        |    |              |     |   |        |    |       |     |   |        |    |        |     |   |        |    |        |     |   |        |    |        |     |   |        |    |        |     |   |        |    |      |     |   |        |    |      |     |   |        |    |        |     |    |        |    |        |     |
| 5                                                                                                                   | UL1015       | 20                                                                                                                                                                                                                                                                                                                                                                                                                                                                                                                                                                                                                                                                                                                                                                                                                                                                                                                                                                               | gray         | 500           |     |       |               |   |        |    |              |     |   |        |    |       |     |   |        |    |        |     |   |        |    |        |     |   |        |    |        |     |   |        |    |        |     |   |        |    |      |     |   |        |    |      |     |   |        |    |        |     |    |        |    |        |     |
| 6                                                                                                                   | UL1015       | 20                                                                                                                                                                                                                                                                                                                                                                                                                                                                                                                                                                                                                                                                                                                                                                                                                                                                                                                                                                               | orange       | 500           |     |       |               |   |        |    |              |     |   |        |    |       |     |   |        |    |        |     |   |        |    |        |     |   |        |    |        |     |   |        |    |        |     |   |        |    |      |     |   |        |    |      |     |   |        |    |        |     |    |        |    |        |     |
| <p>●Model number</p> <h2>H-OU-2</h2> <p>Housing : 09-50-1053 (Molex)<br/>Pin : 08-70-1030 or 08-70-1031 (Molex)</p> | <p>●Type</p> | <p>●Wire</p> <table border="1"> <thead> <tr> <th>Pin #</th> <th>Wire</th> <th>AWG</th> <th>Color</th> <th>Length ℓ (mm)</th> </tr> </thead> <tbody> <tr> <td>1</td> <td>UL1015</td> <td>20</td> <td>red</td> <td>500</td> </tr> <tr> <td>2</td> <td>UL1015</td> <td>20</td> <td>black</td> <td>500</td> </tr> <tr> <td>3</td> <td>UL1015</td> <td>20</td> <td>orange</td> <td>500</td> </tr> <tr> <td>4</td> <td>UL1015</td> <td>20</td> <td>gray</td> <td>500</td> </tr> <tr> <td>5</td> <td>UL1015</td> <td>20</td> <td>purple</td> <td>500</td> </tr> </tbody> </table>                                                                                                                                                                                                                                                                                                                                                                                                       | Pin #        | Wire          | AWG | Color | Length ℓ (mm) | 1 | UL1015 | 20 | red          | 500 | 2 | UL1015 | 20 | black | 500 | 3 | UL1015 | 20 | orange | 500 | 4 | UL1015 | 20 | gray   | 500 | 5 | UL1015 | 20 | purple | 500 |   |        |    |        |     |   |        |    |      |     |   |        |    |      |     |   |        |    |        |     |    |        |    |        |     |
| Pin #                                                                                                               | Wire         | AWG                                                                                                                                                                                                                                                                                                                                                                                                                                                                                                                                                                                                                                                                                                                                                                                                                                                                                                                                                                              | Color        | Length ℓ (mm) |     |       |               |   |        |    |              |     |   |        |    |       |     |   |        |    |        |     |   |        |    |        |     |   |        |    |        |     |   |        |    |        |     |   |        |    |      |     |   |        |    |      |     |   |        |    |        |     |    |        |    |        |     |
| 1                                                                                                                   | UL1015       | 20                                                                                                                                                                                                                                                                                                                                                                                                                                                                                                                                                                                                                                                                                                                                                                                                                                                                                                                                                                               | red          | 500           |     |       |               |   |        |    |              |     |   |        |    |       |     |   |        |    |        |     |   |        |    |        |     |   |        |    |        |     |   |        |    |        |     |   |        |    |      |     |   |        |    |      |     |   |        |    |        |     |    |        |    |        |     |
| 2                                                                                                                   | UL1015       | 20                                                                                                                                                                                                                                                                                                                                                                                                                                                                                                                                                                                                                                                                                                                                                                                                                                                                                                                                                                               | black        | 500           |     |       |               |   |        |    |              |     |   |        |    |       |     |   |        |    |        |     |   |        |    |        |     |   |        |    |        |     |   |        |    |        |     |   |        |    |      |     |   |        |    |      |     |   |        |    |        |     |    |        |    |        |     |
| 3                                                                                                                   | UL1015       | 20                                                                                                                                                                                                                                                                                                                                                                                                                                                                                                                                                                                                                                                                                                                                                                                                                                                                                                                                                                               | orange       | 500           |     |       |               |   |        |    |              |     |   |        |    |       |     |   |        |    |        |     |   |        |    |        |     |   |        |    |        |     |   |        |    |        |     |   |        |    |      |     |   |        |    |      |     |   |        |    |        |     |    |        |    |        |     |
| 4                                                                                                                   | UL1015       | 20                                                                                                                                                                                                                                                                                                                                                                                                                                                                                                                                                                                                                                                                                                                                                                                                                                                                                                                                                                               | gray         | 500           |     |       |               |   |        |    |              |     |   |        |    |       |     |   |        |    |        |     |   |        |    |        |     |   |        |    |        |     |   |        |    |        |     |   |        |    |      |     |   |        |    |      |     |   |        |    |        |     |    |        |    |        |     |
| 5                                                                                                                   | UL1015       | 20                                                                                                                                                                                                                                                                                                                                                                                                                                                                                                                                                                                                                                                                                                                                                                                                                                                                                                                                                                               | purple       | 500           |     |       |               |   |        |    |              |     |   |        |    |       |     |   |        |    |        |     |   |        |    |        |     |   |        |    |        |     |   |        |    |        |     |   |        |    |      |     |   |        |    |      |     |   |        |    |        |     |    |        |    |        |     |
| <p>●Model number</p> <h2>H-OU-4</h2> <p>Housing : 09-50-1103 (Molex)<br/>Pin : 08-70-1030 or 08-70-1031 (Molex)</p> | <p>●Type</p> | <p>●Wire</p> <table border="1"> <thead> <tr> <th>Pin #</th> <th>Wire</th> <th>AWG</th> <th>Color</th> <th>Length ℓ (mm)</th> </tr> </thead> <tbody> <tr> <td>1</td> <td>UL1015</td> <td>18</td> <td>red</td> <td>500</td> </tr> <tr> <td>2</td> <td>UL1015</td> <td>18</td> <td>red</td> <td>500</td> </tr> <tr> <td>3</td> <td>UL1015</td> <td>18</td> <td>black</td> <td>500</td> </tr> <tr> <td>4</td> <td>UL1015</td> <td>18</td> <td>black</td> <td>500</td> </tr> <tr> <td>5</td> <td>UL1015</td> <td>18</td> <td>orange</td> <td>500</td> </tr> <tr> <td>6</td> <td>UL1015</td> <td>18</td> <td>orange</td> <td>500</td> </tr> <tr> <td>7</td> <td>UL1015</td> <td>18</td> <td>gray</td> <td>500</td> </tr> <tr> <td>8</td> <td>UL1015</td> <td>18</td> <td>gray</td> <td>500</td> </tr> <tr> <td>9</td> <td>UL1015</td> <td>18</td> <td>purple</td> <td>500</td> </tr> <tr> <td>10</td> <td>UL1015</td> <td>18</td> <td>purple</td> <td>500</td> </tr> </tbody> </table> | Pin #        | Wire          | AWG | Color | Length ℓ (mm) | 1 | UL1015 | 18 | red          | 500 | 2 | UL1015 | 18 | red   | 500 | 3 | UL1015 | 18 | black  | 500 | 4 | UL1015 | 18 | black  | 500 | 5 | UL1015 | 18 | orange | 500 | 6 | UL1015 | 18 | orange | 500 | 7 | UL1015 | 18 | gray | 500 | 8 | UL1015 | 18 | gray | 500 | 9 | UL1015 | 18 | purple | 500 | 10 | UL1015 | 18 | purple | 500 |
| Pin #                                                                                                               | Wire         | AWG                                                                                                                                                                                                                                                                                                                                                                                                                                                                                                                                                                                                                                                                                                                                                                                                                                                                                                                                                                              | Color        | Length ℓ (mm) |     |       |               |   |        |    |              |     |   |        |    |       |     |   |        |    |        |     |   |        |    |        |     |   |        |    |        |     |   |        |    |        |     |   |        |    |      |     |   |        |    |      |     |   |        |    |        |     |    |        |    |        |     |
| 1                                                                                                                   | UL1015       | 18                                                                                                                                                                                                                                                                                                                                                                                                                                                                                                                                                                                                                                                                                                                                                                                                                                                                                                                                                                               | red          | 500           |     |       |               |   |        |    |              |     |   |        |    |       |     |   |        |    |        |     |   |        |    |        |     |   |        |    |        |     |   |        |    |        |     |   |        |    |      |     |   |        |    |      |     |   |        |    |        |     |    |        |    |        |     |
| 2                                                                                                                   | UL1015       | 18                                                                                                                                                                                                                                                                                                                                                                                                                                                                                                                                                                                                                                                                                                                                                                                                                                                                                                                                                                               | red          | 500           |     |       |               |   |        |    |              |     |   |        |    |       |     |   |        |    |        |     |   |        |    |        |     |   |        |    |        |     |   |        |    |        |     |   |        |    |      |     |   |        |    |      |     |   |        |    |        |     |    |        |    |        |     |
| 3                                                                                                                   | UL1015       | 18                                                                                                                                                                                                                                                                                                                                                                                                                                                                                                                                                                                                                                                                                                                                                                                                                                                                                                                                                                               | black        | 500           |     |       |               |   |        |    |              |     |   |        |    |       |     |   |        |    |        |     |   |        |    |        |     |   |        |    |        |     |   |        |    |        |     |   |        |    |      |     |   |        |    |      |     |   |        |    |        |     |    |        |    |        |     |
| 4                                                                                                                   | UL1015       | 18                                                                                                                                                                                                                                                                                                                                                                                                                                                                                                                                                                                                                                                                                                                                                                                                                                                                                                                                                                               | black        | 500           |     |       |               |   |        |    |              |     |   |        |    |       |     |   |        |    |        |     |   |        |    |        |     |   |        |    |        |     |   |        |    |        |     |   |        |    |      |     |   |        |    |      |     |   |        |    |        |     |    |        |    |        |     |
| 5                                                                                                                   | UL1015       | 18                                                                                                                                                                                                                                                                                                                                                                                                                                                                                                                                                                                                                                                                                                                                                                                                                                                                                                                                                                               | orange       | 500           |     |       |               |   |        |    |              |     |   |        |    |       |     |   |        |    |        |     |   |        |    |        |     |   |        |    |        |     |   |        |    |        |     |   |        |    |      |     |   |        |    |      |     |   |        |    |        |     |    |        |    |        |     |
| 6                                                                                                                   | UL1015       | 18                                                                                                                                                                                                                                                                                                                                                                                                                                                                                                                                                                                                                                                                                                                                                                                                                                                                                                                                                                               | orange       | 500           |     |       |               |   |        |    |              |     |   |        |    |       |     |   |        |    |        |     |   |        |    |        |     |   |        |    |        |     |   |        |    |        |     |   |        |    |      |     |   |        |    |      |     |   |        |    |        |     |    |        |    |        |     |
| 7                                                                                                                   | UL1015       | 18                                                                                                                                                                                                                                                                                                                                                                                                                                                                                                                                                                                                                                                                                                                                                                                                                                                                                                                                                                               | gray         | 500           |     |       |               |   |        |    |              |     |   |        |    |       |     |   |        |    |        |     |   |        |    |        |     |   |        |    |        |     |   |        |    |        |     |   |        |    |      |     |   |        |    |      |     |   |        |    |        |     |    |        |    |        |     |
| 8                                                                                                                   | UL1015       | 18                                                                                                                                                                                                                                                                                                                                                                                                                                                                                                                                                                                                                                                                                                                                                                                                                                                                                                                                                                               | gray         | 500           |     |       |               |   |        |    |              |     |   |        |    |       |     |   |        |    |        |     |   |        |    |        |     |   |        |    |        |     |   |        |    |        |     |   |        |    |      |     |   |        |    |      |     |   |        |    |        |     |    |        |    |        |     |
| 9                                                                                                                   | UL1015       | 18                                                                                                                                                                                                                                                                                                                                                                                                                                                                                                                                                                                                                                                                                                                                                                                                                                                                                                                                                                               | purple       | 500           |     |       |               |   |        |    |              |     |   |        |    |       |     |   |        |    |        |     |   |        |    |        |     |   |        |    |        |     |   |        |    |        |     |   |        |    |      |     |   |        |    |      |     |   |        |    |        |     |    |        |    |        |     |
| 10                                                                                                                  | UL1015       | 18                                                                                                                                                                                                                                                                                                                                                                                                                                                                                                                                                                                                                                                                                                                                                                                                                                                                                                                                                                               | purple       | 500           |     |       |               |   |        |    |              |     |   |        |    |       |     |   |        |    |        |     |   |        |    |        |     |   |        |    |        |     |   |        |    |        |     |   |        |    |      |     |   |        |    |      |     |   |        |    |        |     |    |        |    |        |     |