

- ① Series name
- ② Output wattage
- ③ Output voltage combination
- ④ Optional
- C :with Coating
- G :Low leakage current
- J :Connector type
- N :with Cover

MMC

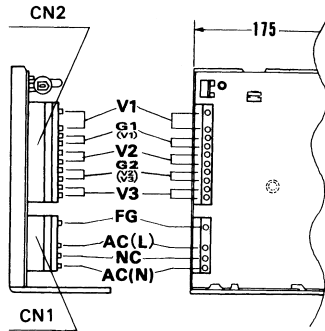
MODEL		MMC75A-1	MMC75A-2	MMC75A-3	MMC75A-4
DC OUTPUT	V1	+5V 8.0A	+5V 8.0A	+5V 8.0A	+5V 6.0A
	V2	+12V 2.5A	+15V 1.8A	+12V 2.5A	+12V 3.2A
	V3	-12V 0.5A	-15V 0.5A	-5V 0.5A	-12V 0.5A

SPECIFICATIONS

	MODEL	MMC75A-1			MMC75A-2			MMC75A-3			MMC75A-4			
INPUT	VOLTAGE[V]	AC85 - 132 1φ or DC110 - 170												
	CURRENT[A]	ACIN 100V	2.1typ (Io=100%)											
	FREQUENCY[Hz]	47 - 440 or DC												
	EFFICIENCY[%]	ACIN 100V	75typ (Io=100%)											
	INRUSH CURRENT[A]	ACIN 100V	20typ (Io=100%)											
OUTPUT	VOLTAGE[V]	+5	+12	-12	+5	+15	-15	+5	+12	-5	+5	+12	-12	
	CURRENT[A]	8	2.5	0.5	8	1.8	0.5	8	2.5	0.5	6	3.2	0.5	
	MINIMUM CURRENT[A]	1.5	0	0	1.5	0	0	1.5	0	0	1.5	0	0	
	LINE REGULATION[mV]	20max	48max	48max	20max	60max	60max	20max	48max	20max	20max	48max	100max	
	LOAD REGULATION[mV]	40max	100max	150max	40max	120max	150max	40max	100max	100max	40max	100max	150max	
	RIPPLE[mVp-p]	*1	80max	120max	120max	80max	120max	120max	80max	120max	120max	80max	120max	120max
	RIPPLE NOISE[mVp-p]	*1	120max	150max	150max	120max	150max	150max	120max	150max	150max	120max	150max	150max
	TEMPERATURE REGULATION[mV]	0 to +50°C	50max	120max	350max	50max	150max	350max	50max	120max	350max	50max	120max	350max
	START-UP TIME[ms]	200max (ACIN 85V, Io=100%)												
	HOLD-UP TIME[ms]	15typ (ACIN 85V, Io=100%)												
OUTPUT VOLTAGE ADJUSTMENT RANGE[V]	5.00 - 5.25	Fixed	Fixed	5.00 - 5.25	Fixed	Fixed	5.00 - 5.25	Fixed	Fixed	5.00 - 5.25	Fixed	Fixed		
OUTPUT VOLTAGE SETTING[V]	—	11.40 to 12.60	-11.40 to -12.60	—	14.25 to 15.75	-14.25 to -15.75	—	11.40 to 12.60	-4.75 to -5.25	—	11.40 to 12.60	-11.40 to -12.60		
PROTECTION CIRCUIT	OVERCURRENT PROTECTION	Works over 105% of rating and recovers automatically												
	OVERVOLTAGE PROTECTION	Works at 115 - 140% of rating (+5V)												
ISOLATION	INPUT-CASE, OUTPUT	AC2,000V 1minute, DC500V 50MΩmin (At Room Temperature)												
	OUTPUT-CASE	AC500V 1minute, DC500V 50MΩmin (At Room Temperature)												
	OUTPUT-OUTPUT(V1-V2,V3)	AC100V 1minute, DC100V 10MΩmin (At Room Temperature)												
ENVIRONMENT	OPERATING TEMP.,HUMID.AND ALTITUDE	0 to +65°C, 20 - 90%RH (Non condensing) (Refer to DERATING CURVE), 3,000m (10,000feet) max												
	STORAGE TEMP.,HUMID.AND ALTITUDE	-20 to +75°C, 20 - 90%RH (Non condensing), 9,000m (30,000feet) max												
	VIBRATION	10 - 55Hz, 19.6m/s ² (2G), 3minutes period, 30minutes each along X, Y and Z axis												
	IMPACT	196.1m/s ² (20G), 11ms, once each X, Y and Z axis												
SAFETY AND NOISE REGULATIONS	AGENCY APPROVALS	UL60950-1, C-UL Complies with DEN-AN												
	CONDUCTED NOISE	Complies with FCC-A												

*1 Measured by 20MHz oscilloscope or Ripple-Noise meter(equivalent to KEISOKU-GIKEN : RM101).
 * When units are operated with chassis and cover, derating is required.
 * Avoid prolonged use under over-load.

External view

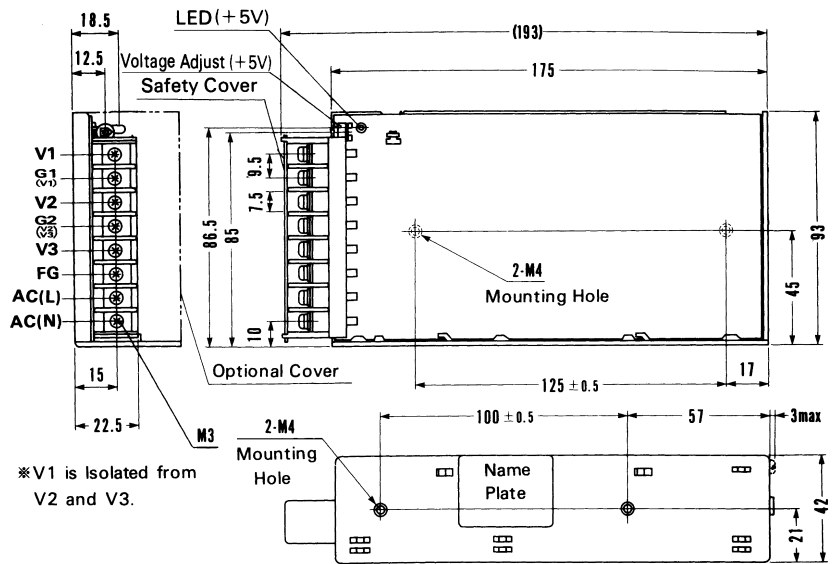


I/O Connector	Mating Connector	Terminal
CN1	10-31-1048	10-63-3044
CN2	09-65-2109	09-50-1103

(Mfr : Molex)

※Use J cover for connector type.

Connector type



※V1 is isolated from V2 and V3.

※Mounting torque : 1.2N·m (12.8kgf·cm) max

Barrier strip type

※Weight: 600g or less

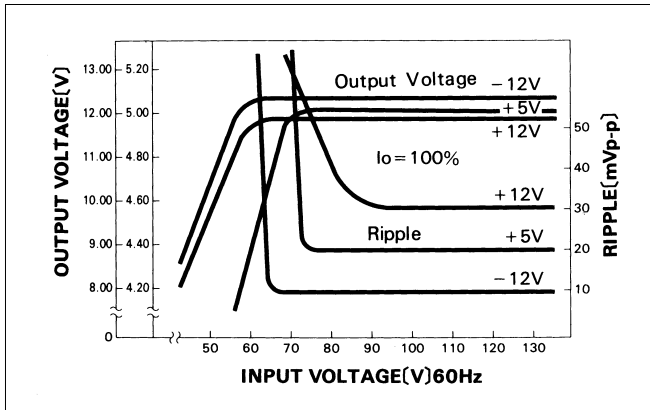
※Cover is optional

※Tolerance: ±1

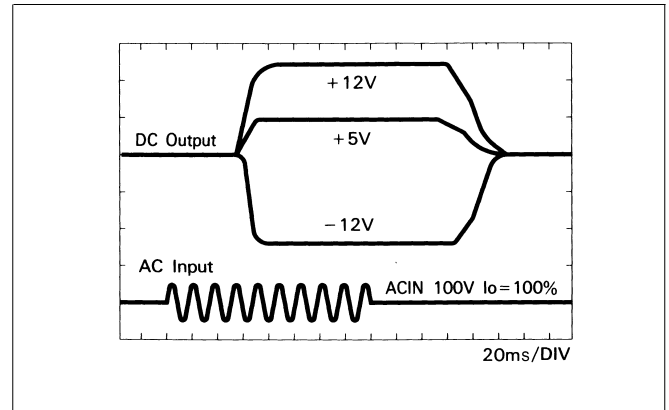
※Dimensions in mm.

Performance data

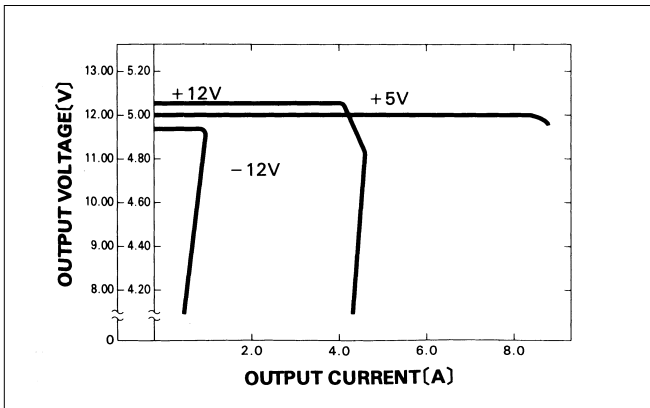
■STATIC CHARACTERISTICS (MMC75A-4)



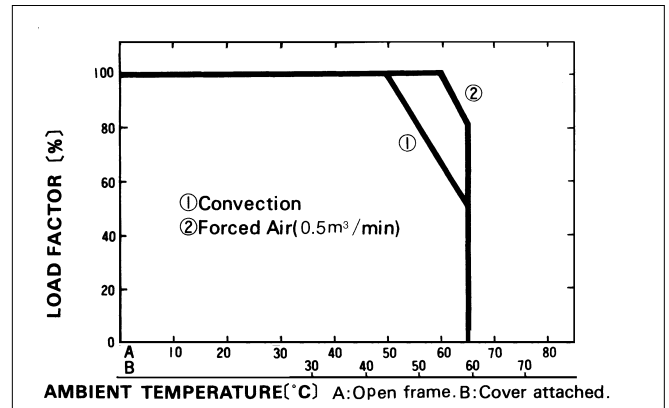
■RISE TIME & FALL TIME (MMC75A-4)



■OVERCURRENT CHARACTERISTICS (MMC75A-4)



■DERATING CURVE



AMBIENT TEMPERATURE(°C) A: Open frame. B: Cover attached.