

Date : Nov.6,2015

Temperature increase of main components: 主要部品温度上昇

Model: TUXS150F series

1. Conditions

- (1) Input : AC 85 ~ 264 [V]
- (2) Output : Rated output
- (3) Aluminum base plate temp : 85 [°C] (Fig1.1)
- (4) Ambient temp : 25 [°C]

2. Result

No.	Parts name	Symbol No.	Increase (ΔT)					Rated temp. [°C]	Reference
			[deg]						
			50V						
1	Input Diode	SS101	22.4				150	Junction Temp.	
2	Choke Coil(PFC)	L201	13.5				150		
3	Rectified Diode(PFC)	D201	18.2				150	Junction Temp.	
4	Switching Moss-FET	TR201	13				150	Junction Temp.	
5	Switching Moss-FET	TR301	8.6				150	Junction Temp.	
6	Transformer	T301	19				155		
7	Switching Moss-FET	TR501	22.4				150	Junction Temp.	
8	Choke Coil(Output)	L501	7.7				150	Junction Temp.	
9									
10									
11									
12									
13									
14									
15									
16									
17									
18									
19									
20									

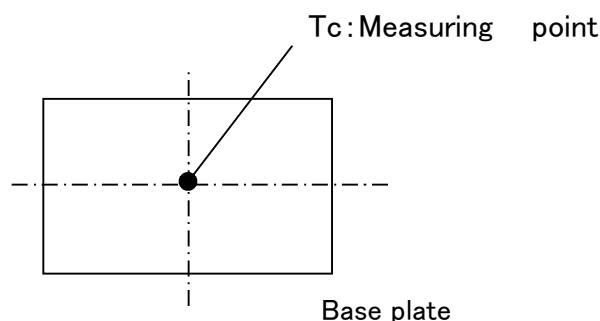


Fig.1.1 Measuring point of aluminum base plate temperature

* All information presented herein are not guaranteed.